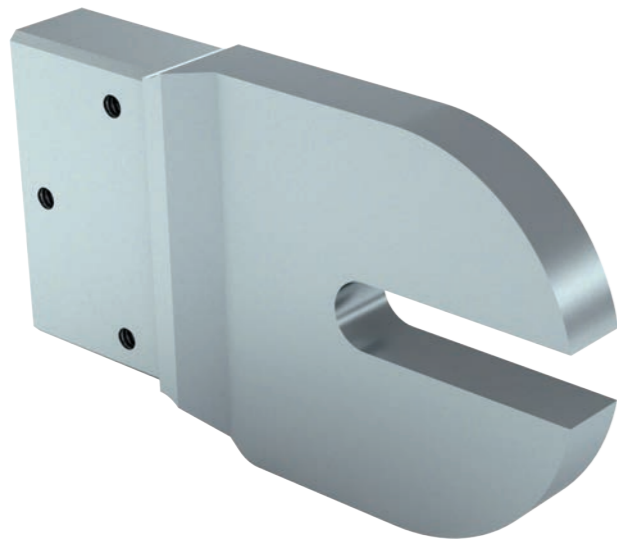


ACCESSORIES

Mounting brackets
For drum motors and idler pulleys

Mounting brackets



In order to securely fasten Interroll Drum Motors, the corresponding idler pulleys or motors with cable connectors or terminal boxes, suitable brackets made of stainless steel, aluminum and PE are available. It is important that the drum motors feature a continuous threaded hole in the front shaft and idler pulleys a corresponding drilled hole in both shaft ends.

For the dimensions of shafts with threaded holes, refer to the dimensional drawings for the corresponding drum motor.

ACCESSORIES

Mounting brackets
For drum motors and idler pulleys

Product selection

Drum motor	Idler pulley	Bracket set	Material	Electrical connector	Article number		
					WAF 13.5 mm	WAF 20 mm	WAF 25 mm
DM 0080	DM 0080	A + B	Aluminum	Elbow connector Straight connector Terminal box	61008694	61113879	61113880
		B + C	Aluminum		61008696	61113885	61113886
DM 0080	DM 0080	A + B	PE	Elbow connector Straight connector Terminal box	61008693	61113889	61113890
		B + C	PE		61008695	61113895	61113896
DM 0080	DM 0080	A + B	VA	Elbow connector Straight connector Terminal box	61113943	61113944	61113945
		B + C	VA		61113946	61113947	61113948
DM 0113	DM 0113	A + B	Aluminum	Elbow connector Straight connector Terminal box		61008698	61115658
		B + C	Aluminum			61008699	61115661
DM 0113	DM 0113	A + B	PE	Elbow connector Straight connector Terminal box		61008701	61115664
		B + C	PE			61008705	61115659
DM 0113	DM 0113	A + B	PE	Cable connection slot		61008697	61115662
		B + C	PE			61008700	61115665
DM 0113	DM 0113	A + B	VA	Elbow connector Straight connector Terminal box		61115655	61115657
		B + C	VA			61115656	61115660
DM 0113	DM 0113	A + B	VA	Cable connection slot		61115654	61115663
		B + C	VA				

ACCESSORIES

Mounting brackets
For drum motors and idler pulleys

Drum motor	Idler pulley	Bracket set	Material	Electrical connector	Article number		
					WAF 13.5 mm	WAF 20 mm	WAF 25 mm
DM 0138		A + B	Aluminum	Elbow connector Straight connector		61008704	61116284
DM 0138		A + B	Aluminum	Cable connection slot		61103900	61116285
	DM 0138	B + C	Aluminum			61008706	61116286
DM 0138		A + B	PE	Elbow connector Straight connector		61008702	61116287
DM 0138		A + B	PE	Cable connection slot		61100570	61116288
	DM 0138	B + C	PE			61008705	61116289
DM 0138		A + B	VA	Elbow connector Straight connector		61116298	61116295
DM 0138		A + B	VA	Cable connection slot		61116299	61116296
	DM 0138	B + C	VA			61116300	61116297

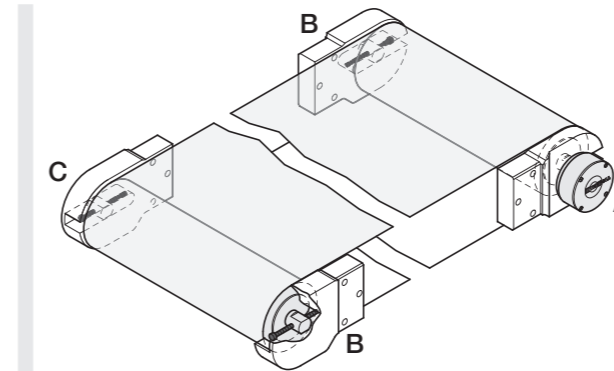
WAF = Width across flats

ACCESSORIES

Mounting brackets
For drum motors and idler pulleys

Mounting overview

Brackets must be mounted in the following way:



Dimensions DM 0080

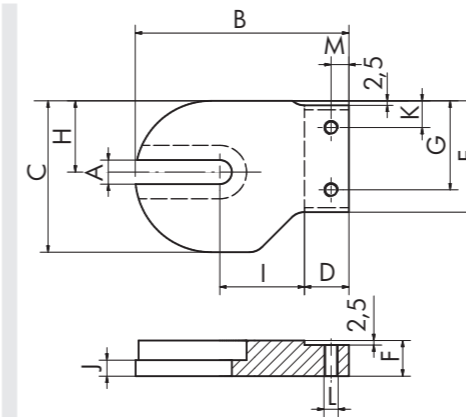


Fig.: Right bracket (A) aluminum or VA

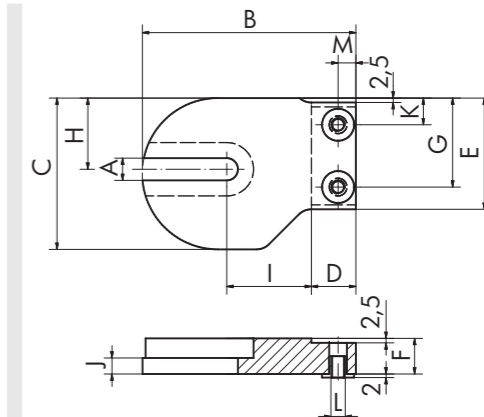


Fig.: Right bracket (A) PE

Drum motor/deflection roller	A	B	C	D	E	F	G	H	I	J	K	L	M
	[mm]	[mm]	[mm]	[mm]	[mm]	[mm]	[mm]	[mm]	[mm]	[mm]	[mm]	[mm]	[mm]
DM 0080	13.5	120	85	25	62.5	20	50	40	47.5	9	15	M8	10
	20	120	85	25	62.5	20	50	40	47.5	9	15	M8	10
	25	120	85	25	62.5	20	50	40	47.5	9	15	M8	10

ACCESSORIES

Mounting brackets
For drum motors and idler pulleys

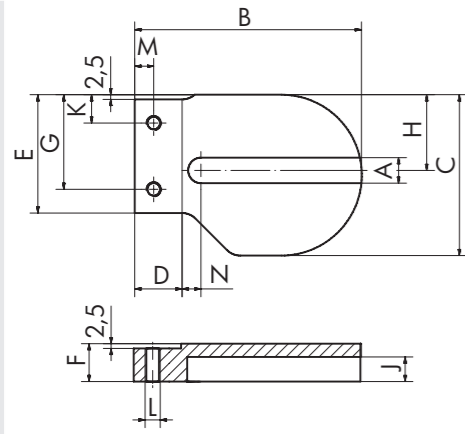


Fig.: Left bracket (B) aluminum or VA

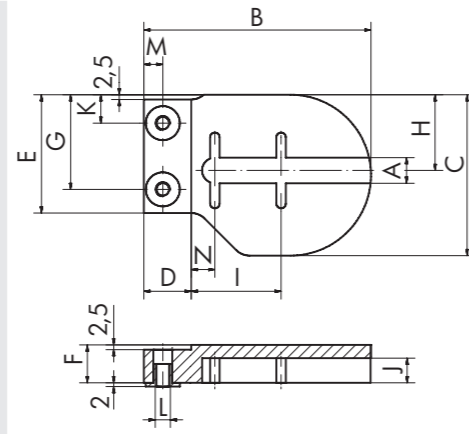


Fig.: Left bracket (B) PE

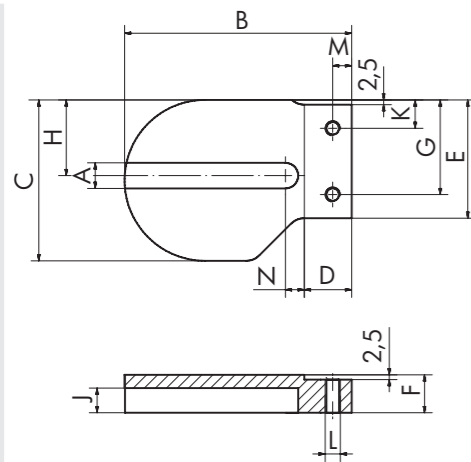


Fig.: Right bracket (C) aluminum or VA

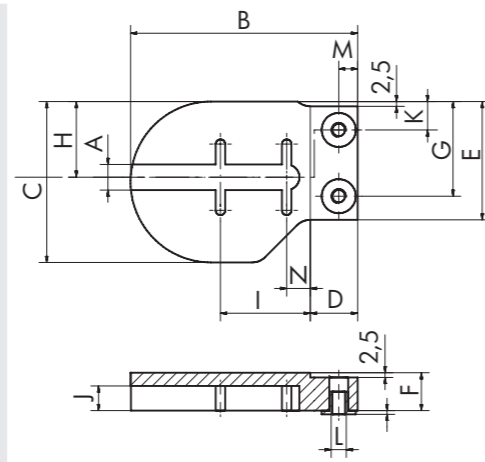


Fig.: Right bracket (C) PE

Drum motor/ idler pulley	Material	A [mm]	B [mm]	C [mm]	D [mm]	E [mm]	F [mm]	G [mm]	H [mm]	I [mm]	J [mm]	K [mm]	L	M [mm]	N [mm]
DM 0080	Aluminum	13.5	120	85	25	62.5	20	50	40	-	13	15	M8	10	10
		20	120	85	25	62.5	20	50	40	-	13	15	M8	10	10
		25	120	85	25	62.5	20	50	40	-	13	15	M8	10	10
	PE	13.5	120	85	25	62.5	20	50	40	42.5	13	15	M8	10	12.5
		20	120	85	25	62.5	20	50	40	42.5	13	15	M8	10	12.5
		25	120	85	25	62.5	20	50	40	42.5	13	15	M8	10	12.5
	VA	13.5	120	85	25	62.5	20	50	40	-	13	15	M8	10	10
		20	120	85	25	62.5	20	50	40	-	13	15	M8	10	10
		25	120	85	25	62.5	20	50	40	-	13	15	M8	10	10

DM 0113 and DM 0138 dimensions

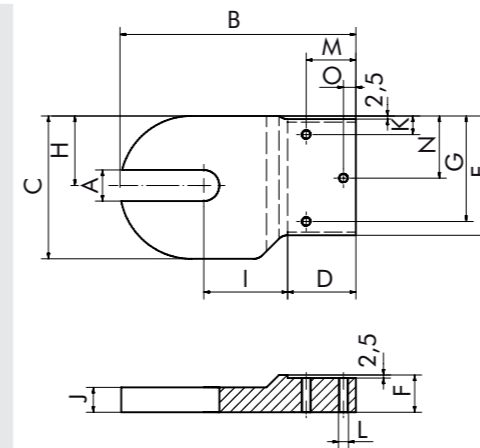


Fig.: Right bracket (A) aluminum or VA

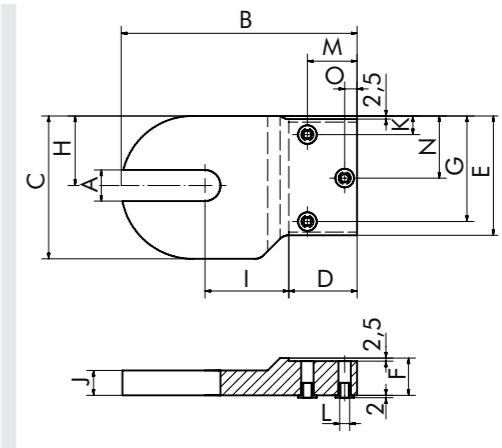


Fig.: Right bracket (A) PE

Drum motor/ deflection roller	A [mm]	B [mm]	C [mm]	D [mm]	E [mm]	F [mm]	G [mm]	H [mm]	I [mm]	J [mm]	K [mm]	L	M [mm]	N [mm]	O [mm]
DM 0113	20	190	115	55	96	30	85	56	67.5	20	15	M8	40	50	10
	25	190	115	55	96	30	85	56	67.5	20	15	M8	40	50	10
DM 0138	20	200	140	55	121	30	110	67	65	20	15	M10	40	62.5	10
	25	200	140	55	121	30	110	67	65	20	15	M10	40	62.5	10

ACCESSORIES

Mounting brackets
For drum motors and idler pulleys

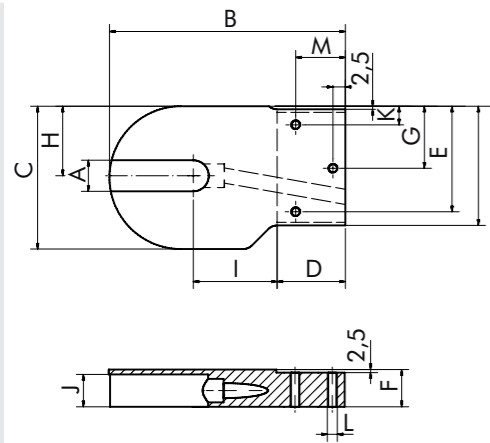


Fig.: Right bracket (A) aluminum or VA with cable connection slot

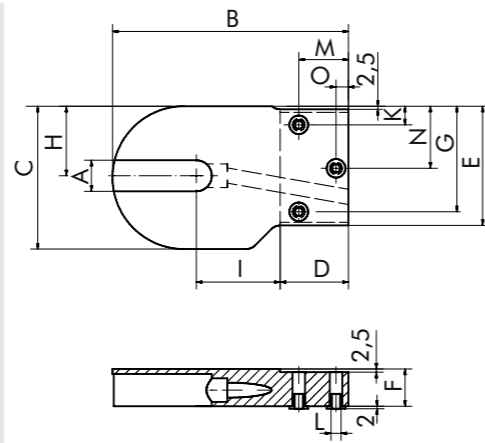


Fig.: Right bracket (A) PE for drum motor with cable connection slot

Drum motor/ deflection roller	A [mm]	B [mm]	C [mm]	D [mm]	E [mm]	F [mm]	G [mm]	H [mm]	I [mm]	J [mm]	K [mm]	L	M [mm]	N [mm]	O [mm]
DM 0113	20	190	115	55	96	30	85	56	67.5	26	15	M8	40	50	10
	25	190	115	55	96	30	85	56	67.5	26	15	M8	40	50	10
DM 0138	20	200	140	55	121	30	110	67	65	20	15	M10	40	62.5	10
	25	200	140	55	121	30	110	67	65	20	15	M10	40	62.5	10

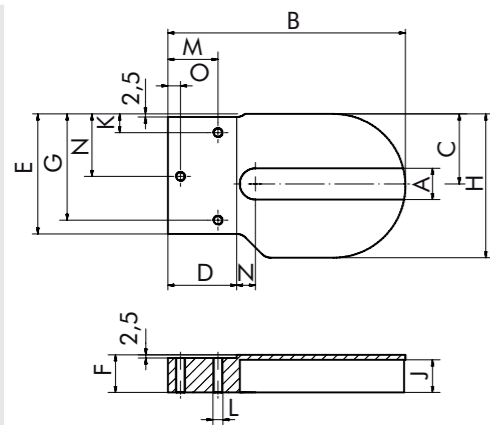


Fig.: Left bracket (B) aluminum or PE

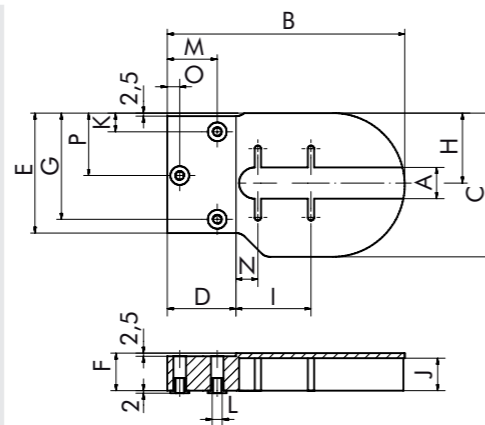


Fig.: Left bracket (B) PE

ACCESSORIES

Mounting brackets
For drum motors and idler pulleys

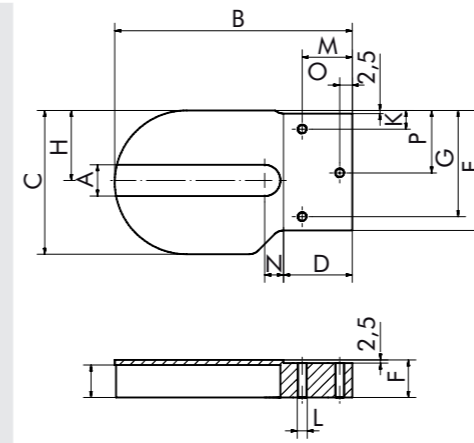


Fig.: Right bracket (C) aluminum or PE

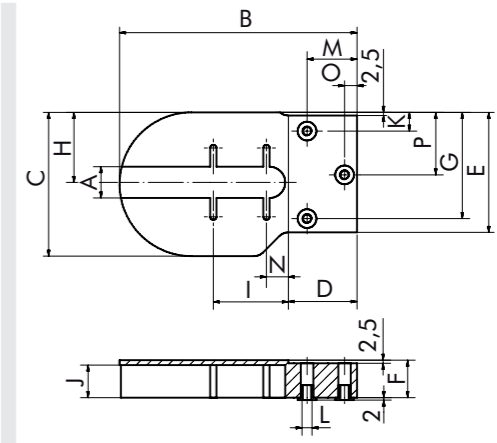


Fig.: Right bracket (C) PE

Drum motor/ idler pulley	Material	A [mm]	B [mm]	C [mm]	D [mm]	E [mm]	F [mm]	G [mm]	H [mm]	I [mm]	J [mm]	K [mm]	L	M [mm]	N [mm]	O [mm]	P [mm]
DM 0113	Aluminum	20	190	115	55	96	30	85	56	-	26	15	M8	40	15	10	50
		25	190	115	55	96	30	85	56	-	26	15	M8	40	15	10	50
	PE	20	190	115	55	96	30	85	56	60	26	15	M8	40	17.5	10	50
		25	190	115	55	96	30	85	56	60	26	15	M8	40	17.5	10	50
	VA	20	190	115	55	96	30	85	56	-	26	15	M8	40	15	10	50
		25	190	115	55	96	30	85	56	-	26	15	M8	40	15	10	50
DM 0138	Aluminum	20	200	140	55	121	30	110	67	-	26	15	M10	40	15	10	62.5
		25	200	140	55	121	30	110	67	-	26	15	M10	40	15	10	62.5
	PE	20	200	140	55	121	30	110	67	62.5	26	15	M10	40	17.5	10	62.5
		25	200	140	55	121	30	110	67	62.5	26	15	M10	40	17.5	10	62.5
	VA	20	200	140	55	121	30	110	67	-	26	15	M10	40	15	10	62.5
		25	200	140	55	121	30	110	67	-	26	15	M10	40	15	10	62.5